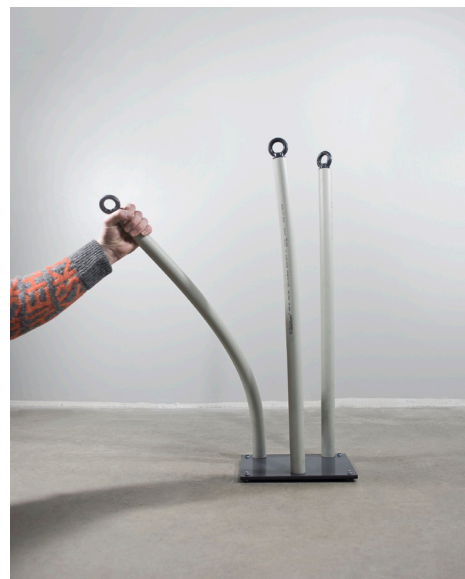
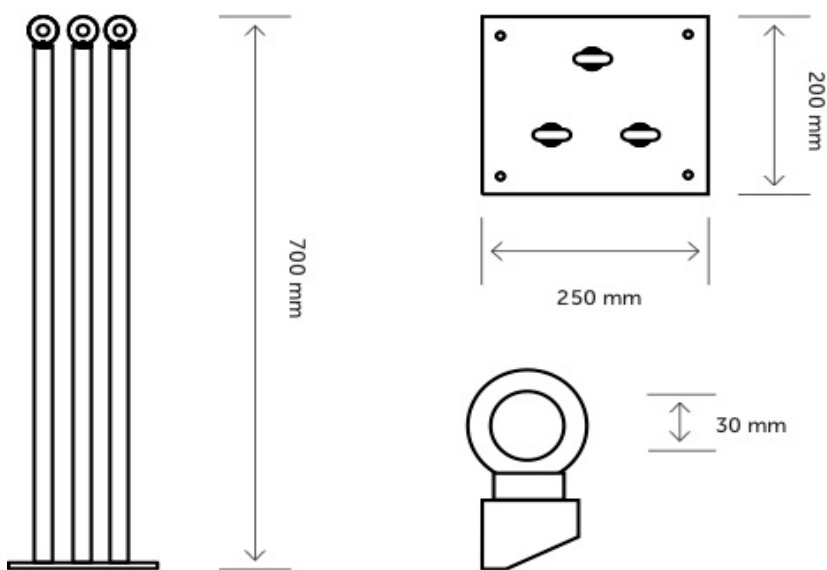


GRAZZ



DESIGNED BY MARGUS TRIIBMANN



Grazz is a unique bike rack that can be used for securing bikes, but can also act as an artificial barrier in spaces when used in rows. The construction of Grazz consists of plastic covered metal cables with metal loops at their ends for fixing bike locks. The plastic sleeve and elastic structure protect bikes from scratches. In bigger quantities the product is available in a wide range of colors. The plastic sleeves can be easily replaced when needed. There are two ways for installing the rack: either with bolted connections/wedge anchors into the ground or by casting the mounting plate into concrete.

Product code	FO-GR-01
Material	Galvanized and powder coated steel, PE tube
Weight (kg)	7
Steel color*	RAL 7011
Loop color*	<input type="checkbox"/> <input type="checkbox"/> <input type="checkbox"/>

* customization available upon request